

## iDS-TCC246-C-WGI Mobile Intelligent Panoramic Positioning System



### Feature

- LPR recognition.
- Illegal parking capture.
- H.264/H.265.
- 3D DNR.
- EIS.
- Red light supplement, 100 m.
- Anti-vibration base optional for mobile installation.
- Panoramic Camera
  - 1/1.8" CMOS sensor.
  - 360° panoramic view, which is composed of two 180° view pictures with each spliced by 3 cameras covering front and rear view of vehicle. Up to 4096 x 1080 resolution for each channel.
- PTZ Camera
  - 1/1.8" Progressive Scan CMOS.
  - Max. resolution 1920 x 1080.
  - 36x optical zoom, focal length varied from 5.7 to 205 mm.
  - Min. illumination: 0.005Lux @F1.5.

### Typical Application

It can be widely used in mobile surveillance and common road surveillance.

### Available Model

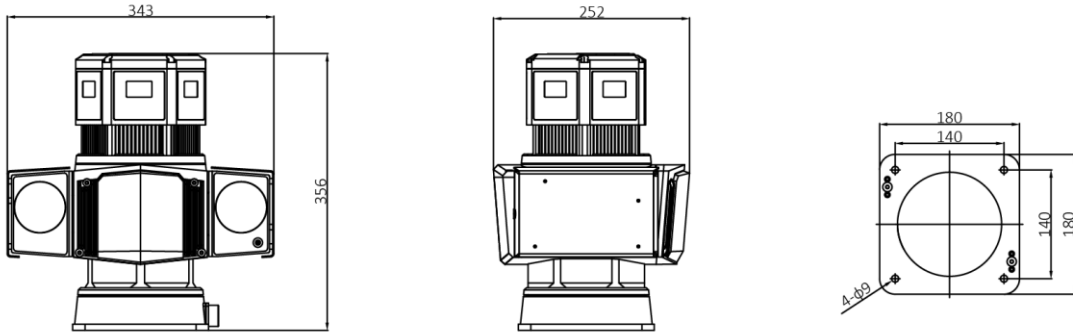
iDS-TCC246-C-WGI



## Specification

<b>Camera</b>	
	<b>IDS-TCC246-C-WGI</b>
Image Sensor	1/1.8" Progressive Scan CMOS
Resolution	50 Hz: 25 fps (1920 x 1080), 60 Hz: 30 fps (1920 x 1080) 50 Hz: 25 fps (1280 x 720), 60 Hz: 30 fps (1280 x 720)
Min. Illumination	Color: 0.005 Lux @ (F1.5, AGC ON)
S/N Ratio	> 52 dB
Focal Length	5.7 to 205 mm, 36x optical zoom
Aperture Range	F1.5 to F4.5
Horizontal View Angle	59.8° to 2.0°(W-T)
Min. Object Distance	10 to 1500 mm (W-T)
Zoom Speed	4 s (optical, W-T)
Focus Mode	Auto/Semiautomatic/Manual
Shutter Time	1/25 s to 1/30,000 s
White Balance	Auto/Manual /ATW/Indoor/Outdoor/Daylight lamp/Sodium lamp
DNR	3D
WDR	Supported
Picture Configuration	Brightness, contrast, sharpness, saturation
Digital Zoom	12
<b>Panoramic</b>	
Focal Length	5 mm
Image Sensor	6 x 1/1.8" Progressive Scan CMOS
Resolution	1920 x 1080
Splicing Resolution	4096 x 1080
3D Positioning	Supports 3D positioning linkage in panoramic view
<b>Network</b>	
Image Compression	H.264/H.265
Bitrate	32 Kbps to 12 Mbps
Protocols	TCP/IP, HTTP, DHCP, DNS, DDNS, RTP, RTSP, SMTP, NTP, UPnP, SNMP, FTP, 802.1x, QoS, HTTPS
Security Mechanism	Password protection, multi-user access control
<b>PTZ</b>	
Horizontal Preset Speed	100°/s
Vertical Preset Speed	80°/s
Horizontal Manual Control of Speed	0 to 60°/s
Vertical Manual Control of Speed	0 to 40°/s
Horizontal Rotation Angle	360° unlimited rotation
Vertical Rotation Angle	-90° to 90°
Number of Preset	256
Number of Patrol	8
RS-485	Pelco-D/Pelco-P/Hikvision
<b>General</b>	
Network	1 RJ45 10M/100M Ethernet interface, supporting remote upgrade
Power Supply	12 VDC (8 to 36 VDC)
Working Humidity	< 90%
Protection Level	IP66
Working Temperature	-35 °C to +55 °C (-31 °F to +131 °F)
Consumption	Max. < 85 W (Supplement light enabled)
Shock Resistance	≥ 3 G
Weight	12 kg (26.5 lb)

**Dimension**



Unit: mm

Distributed by



**HIKVISION®**

**Headquarters**

No.555 Qianmo Road, Binjiang District,  
Hangzhou 310051, China  
T +86-571-8807-5998  
overseasbusiness@hikvision.com

**Hikvision USA**  
T +1-909-895-0400  
sales.usa@hikvision.com

**Hikvision Australia**  
T +61-2-8599-4233  
salesau@hikvision.com

**Hikvision India**  
T +91-22-28469900  
sales@pramahikvision.com

**Hikvision Canada**  
T +1-866-200-6690  
sales.canada@hikvision.com

**Hikvision Thailand**  
T +662-275-9949  
sales.thailand@hikvision.com

**Hikvision Europe**  
T +31-23-5542770  
sales.eu@hikvision.com

**Hikvision Italy**  
T +39-0438-6902  
info.it@hikvision.com

**Hikvision Brazil**  
T +55 11 3318-0050  
Latam.support@hikvision.com

**Hikvision Turkey**  
T +90 (216)521 7070- 7074  
sales.tr@hikvision.com

**Hikvision Malaysia**  
T +601-7652-2413  
sales.my@hikvision.com

**Hikvision UK & Ireland**  
T +01628-902140  
sales.uk@hikvision.com

**Hikvision South Africa**  
Tel: +27 (10) 0351172  
sale.africa@hikvision.com

**Hikvision France**  
T +33(0)1-85-330-450  
info.fr@hikvision.com

**Hikvision Kazakhstan**  
T +7-727-9730667  
nikia.panfilov@hikvision.ru

**Hikvision Vietnam**  
T +84-974270888  
sales.vt@hikvision.com

**Hikvision UAE**  
T +971-4-4432090  
salesme@hikvision.com

**Hikvision Singapore**  
T +65-6684-4718  
sg@hikvision.com

**Hikvision Spain**  
T +34-91-737-16-55  
info.es@hikvision.com

**Hikvision Tashkent**  
T +99-87-1238-9438  
uzb@hikvision.ru

**Hikvision Hong Kong**  
T +852-2151-1761  
info.hk@hikvision.com

**Hikvision Russia**  
T +7-495-669-67-99  
saleru@hikvision.com

**Hikvision Korea**  
T +82-[0]31-731-8817  
sales.korea@hikvision.com

**Hikvision Poland**  
T +48-22-460-01-50  
info.pl@hikvision.com

**Hikvision Indonesia**  
T +62-21-2933759  
Sales.Indonesia@hikvision.com

**Hikvision Colombia**  
sales.colombia@hikvision.com